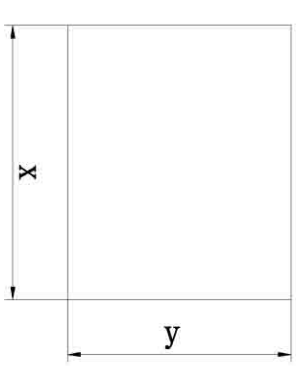
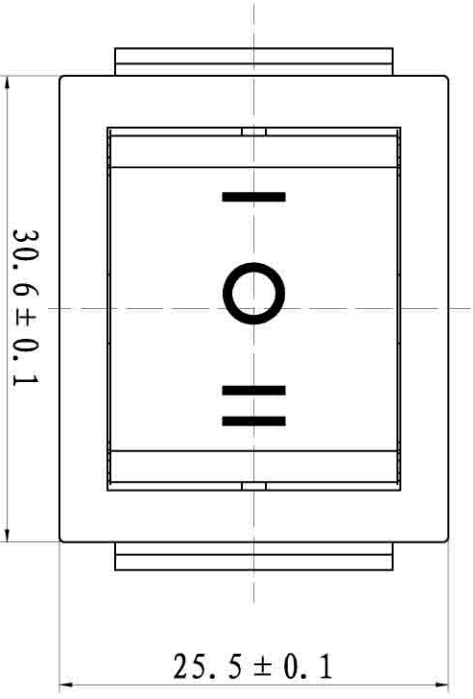


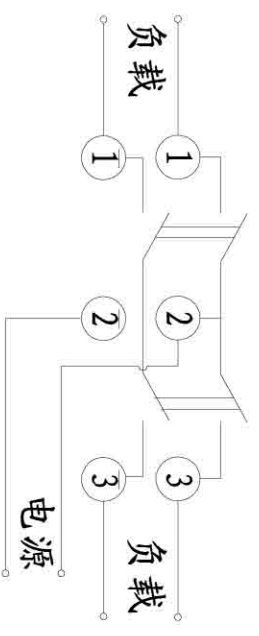
安装开孔尺寸  
MOUNTING HOLE DIMENTION

t	X	Y
0.75-1.25	27.6 <sub>0</sub> <sup>+0.1</sup>	21.5 <sub>0</sub> <sup>+0.1</sup>
1.25-2.0	27.7 <sub>0</sub> <sup>+0.1</sup>	21.5 <sub>0</sub> <sup>+0.1</sup>
2.0-3.0	27.8 <sub>0</sub> <sup>+0.1</sup>	21.5 <sub>0</sub> <sup>+0.1</sup>

t为材料厚度  
Panel Thickness



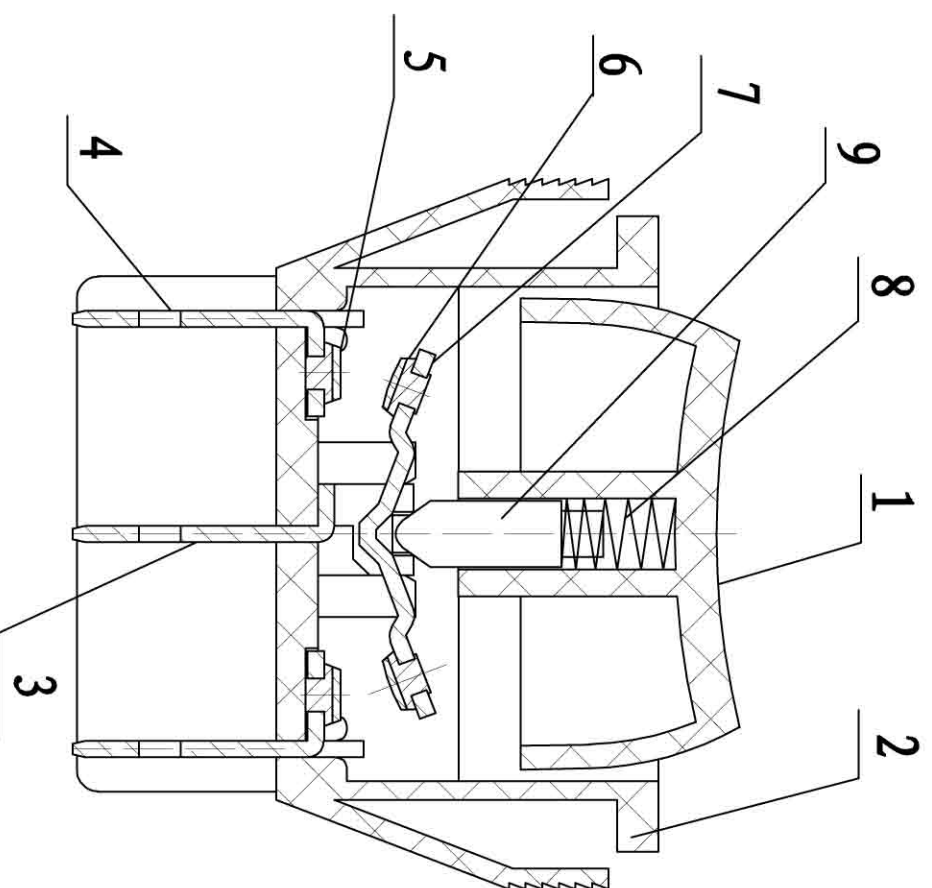
电气原理图  
CIRCUIT DIAGRAM  
ON-OFF-ON



注: RK1-01 2X3黑黑弧 “1011”

TOLERANCES UNLESS OTHERWISE 未指定容许尺寸公差	
BASIC DIMENSION TOLERANCES	
UP TO 10 (10以下)	±0.3
ABOVE 10 TO 100	±0.5
ABOVE 100 (100以上)	±0.8
ANGULAR DIMENSIONS (角度)	±3°

S5OKEN <sup>®</sup> NINGBO MASTER SOKEN ELECTRICAL CO., LTD.			
DESIGNER	签发期	DATE	2012. 3. 29
CHECKED BY		DATE	
APPROVED BY		DATE	
		DIN UNIT	mm
		TITLE	RK1-01-510A/A0325BA
		PAGE	





**SOKEN**

NINGBO MASTER SOKEN ELECTRICAL CO., LTD.

DESIGNER	竺友朝	DATE	2012. 3. 29	DIN UNIT	mm
CHECKED BY		DATE		TITLE	RK1-01-510A/A0325BA
APPROVED BY		DATE		PAGE	

# SPECIFICATION 规格书

1	Rating 额定值	16 (6)A 250VAC T100 (VDE), 16 (12)A 250VAC T100 (TUV); 16A 250VAC T100/55 (CQC KEBA/BNEC);					
2	Operating temperature range 使用环境温度	-25 ~ 85℃					
3	Operating force 动作力	ON-OFF 6 ± 3N OFF-ON 8 ± 3N					
4	Marking 标记	The following is marked on the switch 开关上作如下标记					
		Manufacture's mark 商标					
		Catalogue No. 型号	RK1-01				
		Rating 额定值	16 (6)A 250VAC T100 (VDE), 16 (12)A 250VAC T100 (TUV); 16A 250VAC T100/55 (CQC KEBA/BNEC);				
		Lot.No 批号					
	Approval mark 认证标记						
5	Approval No. 证书号	Approved		VDE	TUV	CQC	KEBA/BNEC
		Catalogue NO. 证书类别		40012988	R500500670002	CQC03002003652	2006522. 01
6	Applicable standard 适用标准			IEC61058-1	IEC61058-1	GB15092. 1-2003	IEC61058-1
7	Contact resistance 接触电阻	100mΩ Max.					
8	Insulation resistance 绝缘电阻	100MΩ Min.					
9	Voltage proof 耐压	端子间1500VAC 5S; 端子与接地间3000VAC 5S;					
10	Electric life 电气寿命	10000 cycles (16 (12)A 250VAC. 16A 250VAC)					

## MATERIAL LIST

No. 序号	Part name 零件名称	Description 材料名称	Quantity 数量	Note 说明
1	Cover (面罩)	PC	1	Ge. PLastics Americas
2	Housing (底壳)	PA66	1	DUPONT DE NEMOUSR
3	Terminal (支架脚)	Brass t=0.8mm	2	H62 Y <sub>2</sub> GB/T2059-2003
4	Contact (触点脚)	Brass t=0.8mm	4	H62 Y <sub>2</sub> GB/T2059-2003
5	Static contact (静触点)	银合金	4	
6	dynamic contact (动触点)	银合金	4	
7	Dynamic flake (动触片)	Brass t=0.8mm	2	H62 Y <sub>2</sub> GB/T2059-2003
8	Spring (弹簧)	Carbon steel wire	2	T9A GB4357-89
9	Spring holdor (弹簧柱)	Brass	2	HPb59-1 GB/T2059-2003

宁波万事达综研电气有限公司 NINGBO MASTER SOKEN ELECTRICAL CO., LTD.	DESIGNER 设计	竺友朝	DATE日期	2012. 3. 29	DIN UNIT 单位	mm
	CHECKED BY 审核		DATE日期		TITLE 型号	RK1-01-510A/A0325BA
	APPROVED BY 批准		DATE日期		DRAWING NO.图号	